

### INTRODUCTION

The E69-102 is a Outdoor Gigabit PoE Extender capable of receiving 30W/60W/95W power from PSE. Multiple extenders can be cascaded to increase the cabling distance.

### PACKAGE CONTENTS

• 1x PoE Extender	• 1x Quick Installation Guide
-------------------	-------------------------------

### ⚠ IMPORTANT:

1. Install the device in a ventilated and dry place, that is free of electromagnetic source, vibration, moisture, and dust.
2. Make sure the ventilation openings on the extender are not blocked.
3. Use CAT.5e or 6 UTP/STP cables. Avoid using low-quality cables, which will seriously limit the cabling distance.

### CONNECTION

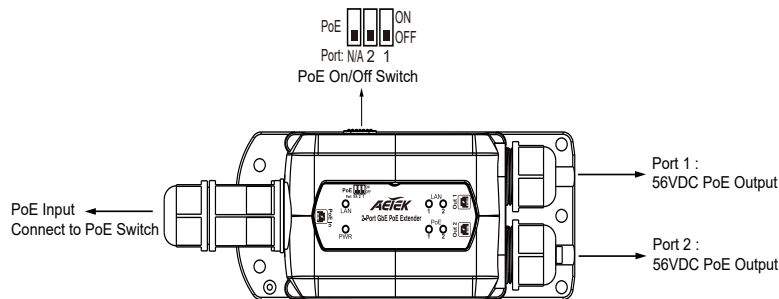
Following are the conditions for making the cabling:

1. Use 18~19Ω, 24AWG CAT.5e cables.
2. Typical cameras stream size feature = 1080p@30fps - 6Mbps; 720p@30fps - 3Mbps.  
Make sure the combined bandwidth consumption does not exceed the uplink bandwidth from the PoE switch.

NOTE: There are power losses due to cable resistance.



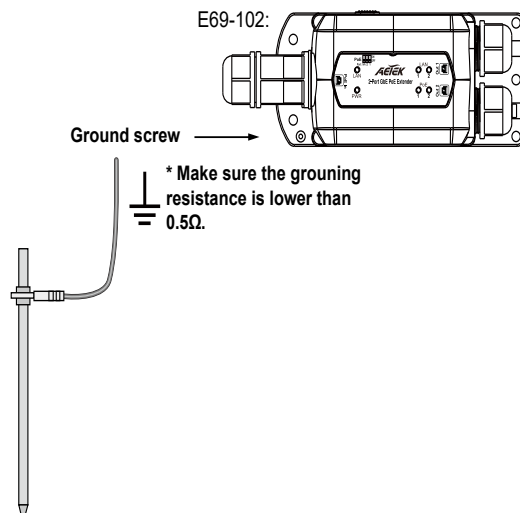
### INSTALLATION



### IMPORTANT:

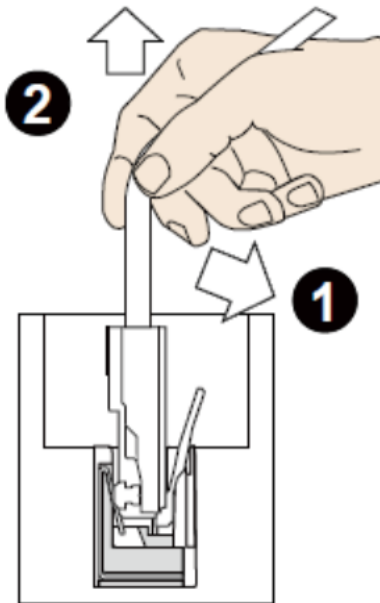
NOTE:

The E69-102 Outdoor PoE Extender Plus must be grounded using a ground wire between the ground screw and earth ground.



### PoE Output Port

To disconnect a LAN cable, loosen the cable gland and pull the cable against the socket wall towards the side of the locking tab.

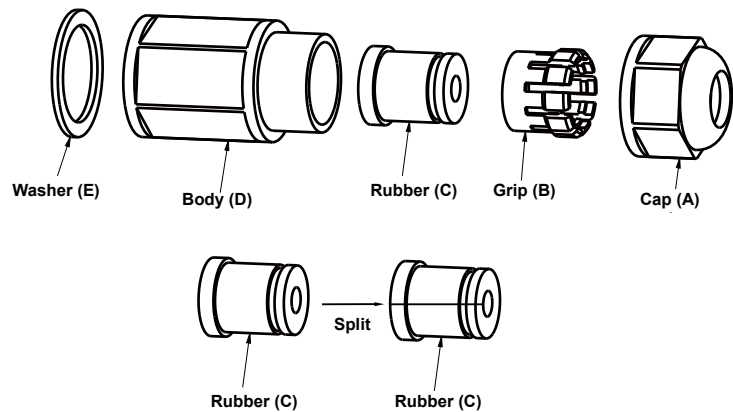


### PoE Input Port Connector Assembly

IMPORTANT -

please follow the procedures below carefully to ensure the best seal:

1. Fit a RJ45 plug to the Cat5e/6 cable
2. Thread the Cat5e/6 cable through the cap(A) & grip(B)
3. Split rubber(C), rubber have two sizes for meet 4.5~6.5mm Cat5e/6 cable.
4. Fit the split rubber(C) over the Cat5e/6 cable
5. Thread the Cat5e/6 cable through the body(D)
6. Fit the washer(E) to the E69-102 connector
7. Plug the RJ45 connector on the Cat5e/6 cable into the E69-102
8. Hold E69-102 and then screw the body(D) onto the E69-102 connector tighten firmly
9. Push rubber(C) in the grip(B) and screw the cap tighten firmly. The Cat5e/6 cable is sealed when the rubber(C) & grip(B) bulges to the edge of the cap(A).



### LED DEFINITIONS

<b>PWR</b>	Green ON	PoE IN port is connected to PSE.
	OFF	No PoE IN connection.
<b>PoE</b>	Amber ON	Power over ethernet cable status
	OFF	Ethernet cable no Power
<b>LAN</b>	Green ON	Data link is detected.
	Green Flashing	Data is being transmitted or received.
	OFF	Link is not detected.

### PoE DIP SWITCH DEFINITIONS

<b>Pin 1</b>	ON	Port 1 Turn on PoE output
	OFF	Port 1 Turn off PoE output
<b>Pin 2</b>	ON	Port 2 Turn on PoE output
	OFF	Port 2 Turn off PoE output
<b>Pin 3</b>	ON	N/A
	OFF	N/A

All specifications are subject to change without notice.  
Copyright © 2019 AETEK INC. All rights reserved.