



H70-084-30 Industrial L2+ Managed GbE PoE Switch

Quick Installation Guide

INTRODUCTION

The H70-084-30 L2+ managed switch supports 8x GbE PoE, 4x GbE SFP, and 1x RJ45 console port. It is IEEE 802.3at compliant and delivers the real full-load output of 240W on 8 PoE ports (30W per port). This industrial L2+ managed switch also features a wide operating temperature range from -40°C to 75°C for harsh environment.

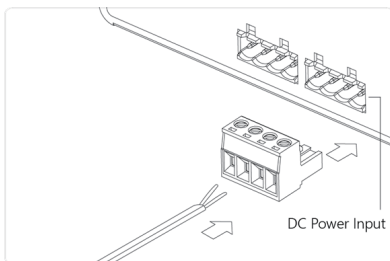
PACKAGE CONTENTS

* 1x PoE switch	* 1x Quick Installation Guide	* 2x 4-pin terminal block
* 1x DB9F-RJ45 console cable	* 1x DIN rail bracket	

⚠ IMPORTANT:

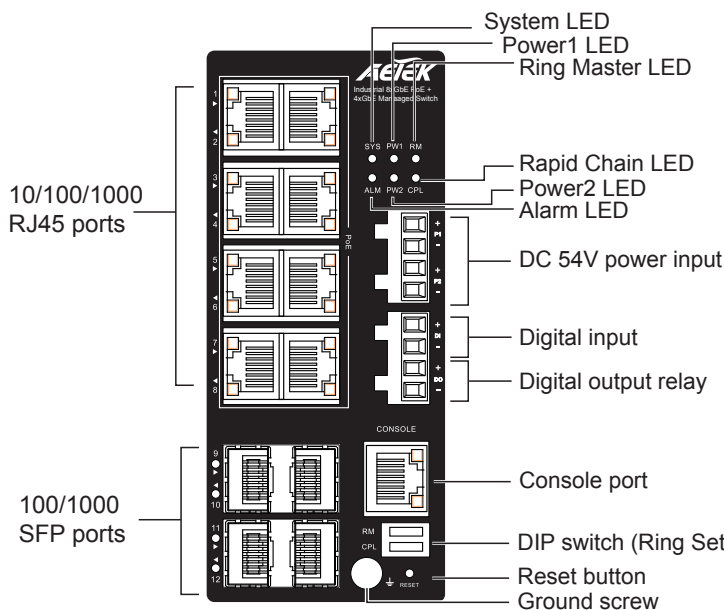
1. Install the converter in a ventilated and dry place that is free of electromagnetic source, vibration, moisture, and dust.
2. Make sure the ventilation openings on the converter are not blocked.
3. Use fiber optic cables and transceiver compliant with the following: Multi-mode: 50/125um, 62.5/125um, 850nm; Single-mode: 9/125um, 1310nm.
4. DC input (48~57VDC). Follow the printed polarity for V+, V-, and Ground.

CONNECTION



1. Pull out the 4-pin terminal block.
2. Connect power wires to V+, and V-.
3. Connect SFP transceivers to the fiber port.
4. install the 4-pin terminal block.

NOTE: Digital output (relay): 24VDC/1A. Digital input: level 0(Low) -> 0V to 6V, level 1(High) -> 10V to 24V.



DEFAULTS

IP Address	192.168.1.1
Subnet Mask	255.255.255.0
User Name	admin
Password	admin

Power LEDs

LED	Color	State	Description
Power1	Green	On	Powered on correctly.
		Off	Not receiving power from power1.
Power2	Green	On	Powered on correctly.
		Off	Not receiving power from power1.

System LED

LED	Color	State	Description
System	Green	On	Switch is ready.
		Off	Switch is not ready.

Alarm LED

LED	Color	State	Description
Alarm	Red	On	Abnormal state, such temperature, voltage, or DC power, has occurred.
		Off	System is normal.

Ring Master and Rapid Chain LEDs

LED	Color	State	Description	
RM (Ring Master)	Green	On	Ring Master has been detected.	
		Amber	On	Ring Member has been detected.
		-	Off	Disabled.
CPL (Rapid Chain)	Green	On	Rapid Chain has been detected (Active path).	
		Amber	On	Rapid Chain has been detected (Backup path).
		Blinking	Error, there is no correspondent Rapid Chain switch found.	
		-	Off	Disabled.

Console Port Defaults

Baud rate	115200
Stop bits	1
Data bits	8
Parity	N
Flow control	none


Port Status LEDs

LED	Color	State	Description
RJ45 Ports Up	Green	On	The port is enabled and established a link to connected device, and the speed is 1000Mbps.
	Green	Blinking	The port is transmitting/receiving packets, and the speed is 1000Mbps.
	Amber	On	The port is enabled and established a link to connected device, and the speed is 10/100Mbps.
	Amber	Blinking	The port is transmitting/receiving packets, and the speed is 10/100Mbps.
	-	Off	The port has no active network connection, or it has no established link to connected device. Otherwise, the port may have been disabled through the switch user interface.
RJ45 Ports Down	Green	On	The port is enabled and supplying power to connected device.
	Amber	On	An abnormal state, such as overload status, has been detected in the switch.
	-	Off	The port has no active connection, or it is not connected to a PoE PD device. Otherwise, the port may have been disabled through the switch user interface.
SFP Ports	Green	On	The port is enabled and established a link to connected device, and the speed is 1000Mbps.
	Green	Blinking	The port is transmitting/receiving packets, and the speed is 1000Mbps.
	Amber	On	The port is enabled and established a link to connected device, and the speed is 100Mbps.
	Amber	Blinking	The port is transmitting/receiving packets, and the speed is 100Mbps.
	-	Off	The port has no active network connection, or it has no established link to connected device. Otherwise, the port may have been disabled through the switch user interface.

Reset button

Task	Method	SYS LED Behavior	Port Status LED Behavior
Reset	Press 2 ~ 7 seconds	Blinking Green	All LEDs Off.
Restore Defaults	Press 2 ~ 7 seconds	Blinking Green	All LEDs On.

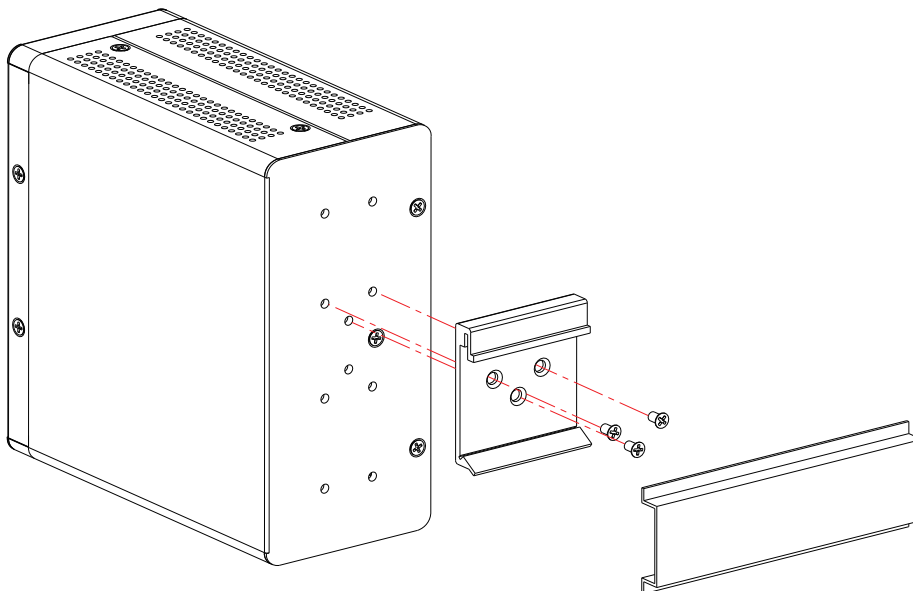
DIP Switch



RM: Ring Master
CPL: Rapid Chain

Mode	RM	CPL	Rapid Ring status	1st Port	2nd Port	LED RM	LED CPL
HW Control	Off	Off	Single Ring member	The largest Odd port number	The largest Even port number	Amber	Off
HW Control	On	Off	Single Ring Master	The largest Odd port number	The largest Even port number	Green	Off
HW Control	Off	On	Rapid Chain	The largest Odd port number	The largest Even port number	Off	Green (Active path); Amber (Backup path)
SW Control	On	On	Rapid Ring settings by SW	-	-	-	-

DIN Rail Installation



All specifications are subject to change without notice.
Copyright © 2018 AETEK INC. All rights reserved.