



TE10-110-RX / TE11-110-RX / TE10-110-TX / TE12-120-TX / TE22-110-TX / TE22-120-TX EPoT Adapter

Quick Installation Guide

INTRODUCTION

| Model | Power Source | Description |
|-------------|--------------|--|
| TE10-110-RX | 56VDC/65W | EPoT DC in Rx Adapter, 1x EPoT RJ45, 1x FE RJ45, 1 DC Jack, -20°C~60°C |
| TE11-110-RX | PoE Input | EPoT PoE in Rx Adapter, 1x EPoT RJ45, 1x FE RJ45, -20°C~60°C |
| TE10-110-TX | | EPoT Tx Adapter, 1x EPoT RJ45, 1x FE RJ45, 1 DC Jack, -20°C~60°C |
| TE12-120-TX | | EPoT Tx Adapter, 1x EPoT RJ45, 1x FE RJ45, 1 DC Jack, -20°C~60°C |
| TE22-110-TX | | EPoT Outdoor Tx Adapter, 1x EPoT RJ45, 1x FE RJ45, -30°C~60°C |
| TE22-120-TX | | EPoT Outdoor Tx Adapter, 1x EPoT RJ45, 1x FE RJ45, -30°C~60°C |

PACKAGE CONTENTS

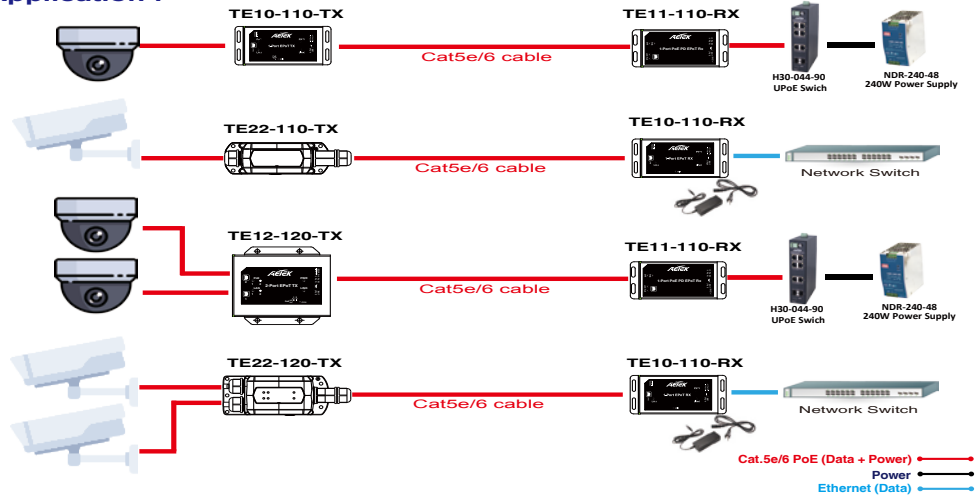
| | |
|---|---|
| * 1x Quick Installation Guide | * 1x 56VDC/65W Power Adapter (TE10-110-RX only) |
| * Waterproof Connect (TE22-110-TX / TE22-120-TX only) | |

⚠ IMPORTANT:

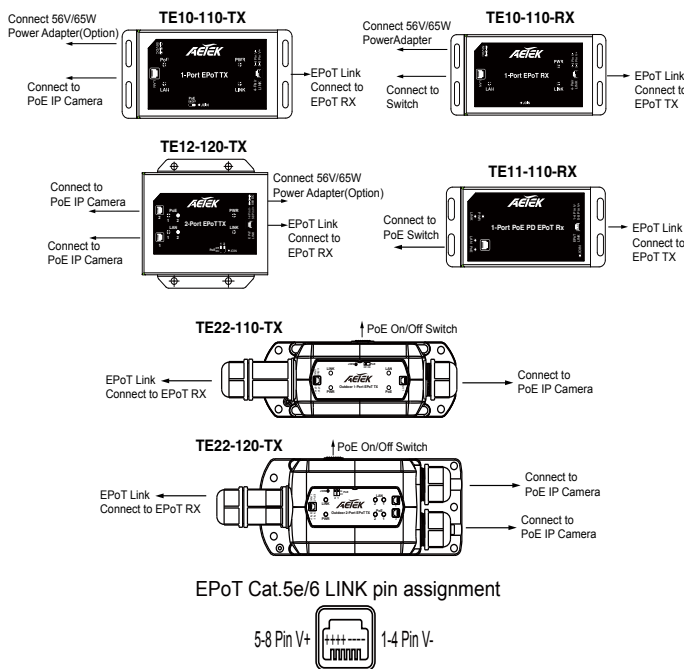
1. Use CAT5e or CAT6 UTP/STP cables.
2. Please avoid using low quality cables, which will seriously limit the cabling distance and power delivery.
3. Make sure the power source is sufficient for your configuration.

CONNECTION

Application :



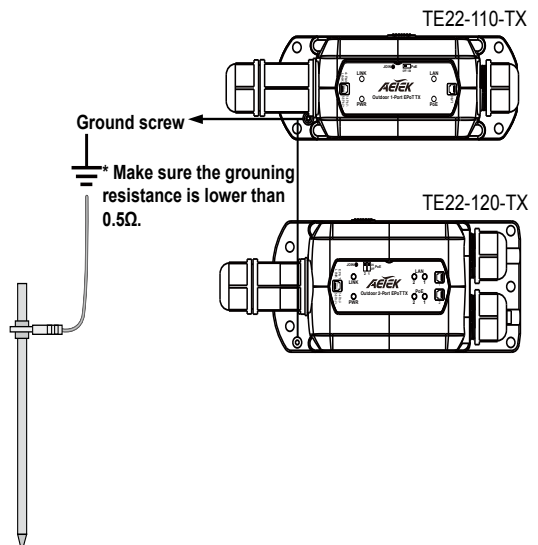
INSTALLATION



IMPORTANT:

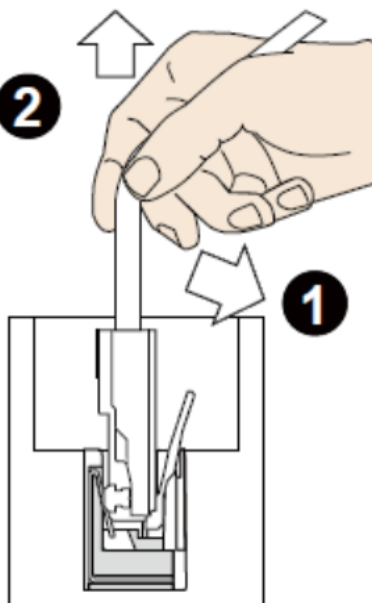
NOTE:

The TE22-110-TX Outdoor EPoT Adapter must be grounded using a ground wire between the ground screw and earth ground.



Outdoor LAN Port

To disconnect a LAN cable, loosen the cable gland and pull the cable against the socket wall towards the side of the locking tab.

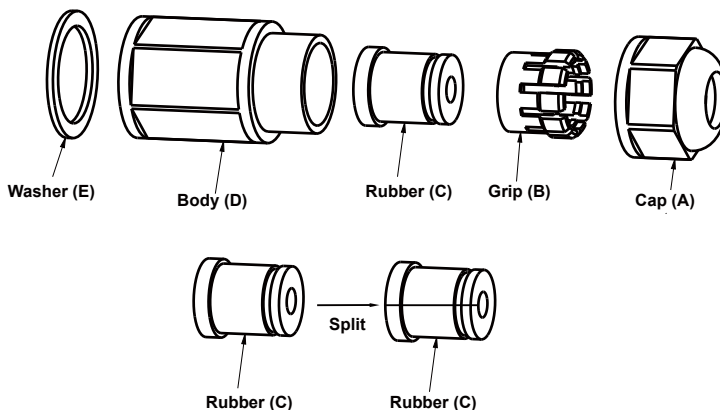


Outdoor 4 Pair LINK Port Connector Assembly

IMPORTANT -

please follow the procedures below carefully to ensure the best seal:

1. Fit a RJ45 plug to the Cat5e/6 cable
2. Thread the Cat5e/6 cable through the cap(A) & grip(B)
3. Split rubber(C), rubber have two sizes for meet 4.5~6.5mm Cat5e/6 cable.
4. Fit the split rubber(C) over the Cat5e/6 cable
5. Thread the Cat5e/6 cable through the body(D)
6. Fit the washer(E) to the TE22-110-TX/TE22-120-TX connector
7. Plug the RJ45 connector on the Cat5e/6 cable into the TE22-110-TX/TE22-120-TX
8. Hold TE22-110-TX/TE22-120-TX and then screw the body(D) onto the TE22-110-TX/TE22-120-TX connector tighten firmly
9. Push rubber(C) in the grip(B) and screw the cap tighten firmly. The Cat5e/6 cable is sealed when the rubber(C) & grip(B) bulges to the edge of the cap(A).



Distance/Power Chart

| Length of Coaxial Cable | |
|-------------------------|---------------------|
| 300m | 34.72W |
| 500m | 25.2W |
| 800m | 13.11W |
| 1000m | 10W |
| 1200m | 9.66W |
| 1200m ~ 2400m | Data only (100Mbps) |

NOTE:

1. The number comply using 4 pair Cat6 cables.
2. The length of network cable for camera connection is 1m Cat6 cable.
3. The power delivery will vary on the quality of Cat6 cable due to resistance.

LEDs

| | | |
|------|-------------|---|
| PoE | Yellow ON | PoE: Power port is connected to PD |
| LAN | Green flash | LAN: Data is being transmitted or received. |
| | OFF | No connection |
| PWR | Yellow ON | Power is supplied (TE11-110-RX only) |
| | Green ON | Power is supplied |
| LINK | Green ON | Rx and Tx EPoT adapter is connected. |

DIP Switch

NOTE: The PoE On/Off switch is only available on TE10-110-TX / TE12-120-TX / TE22-110-TX / TE22-120-TX

| | | |
|------|-----|----------------------------------|
| DIP# | On | Delivery PoE output to PD device |
| | Off | No PoE output to PD device |

* When Connect PoE Switch Data or PoE port ,The DIP Switch need off.