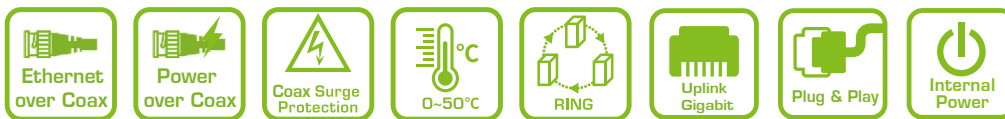


XC10-041-250

EPoC RX Switch



XC10-041-250

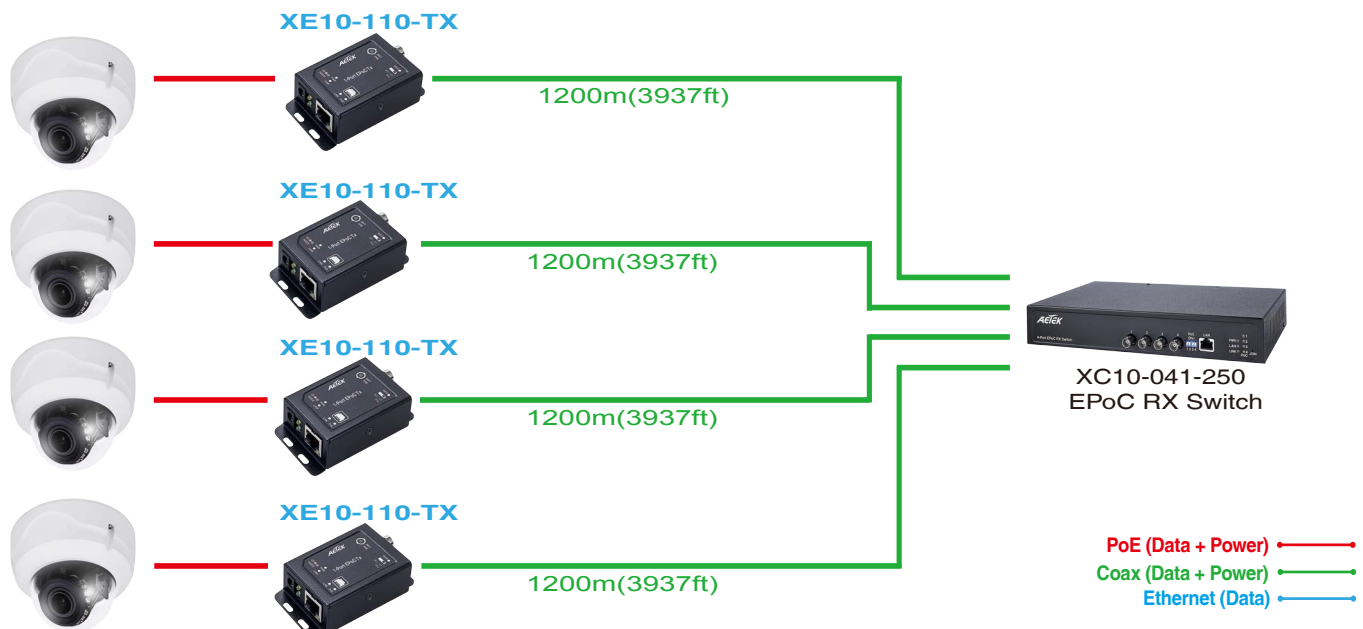


The XC10-041-250 is a RX switch equipped with 4-ports BNC, 1-port Gigabit and the internal 250w power supply. The EPoC (Ethernet & Power over Coax) line is a long-reach solution providing data and PoE over RG6 coaxial cable up to 1200m (3937ft) for any brand of PoE IP camera. Besides long range PoE solution, this product line is also often used to upgrade legacy of CCTV to IP surveillance without changing existing RG59/RG6 coaxial cable. Furthermore, outdoor EPoC solution is a rugged and economical alternative to optical fiber, the power over coax to remote PoE IP camera is more convenient than optical fiber solution which often don't carry power.

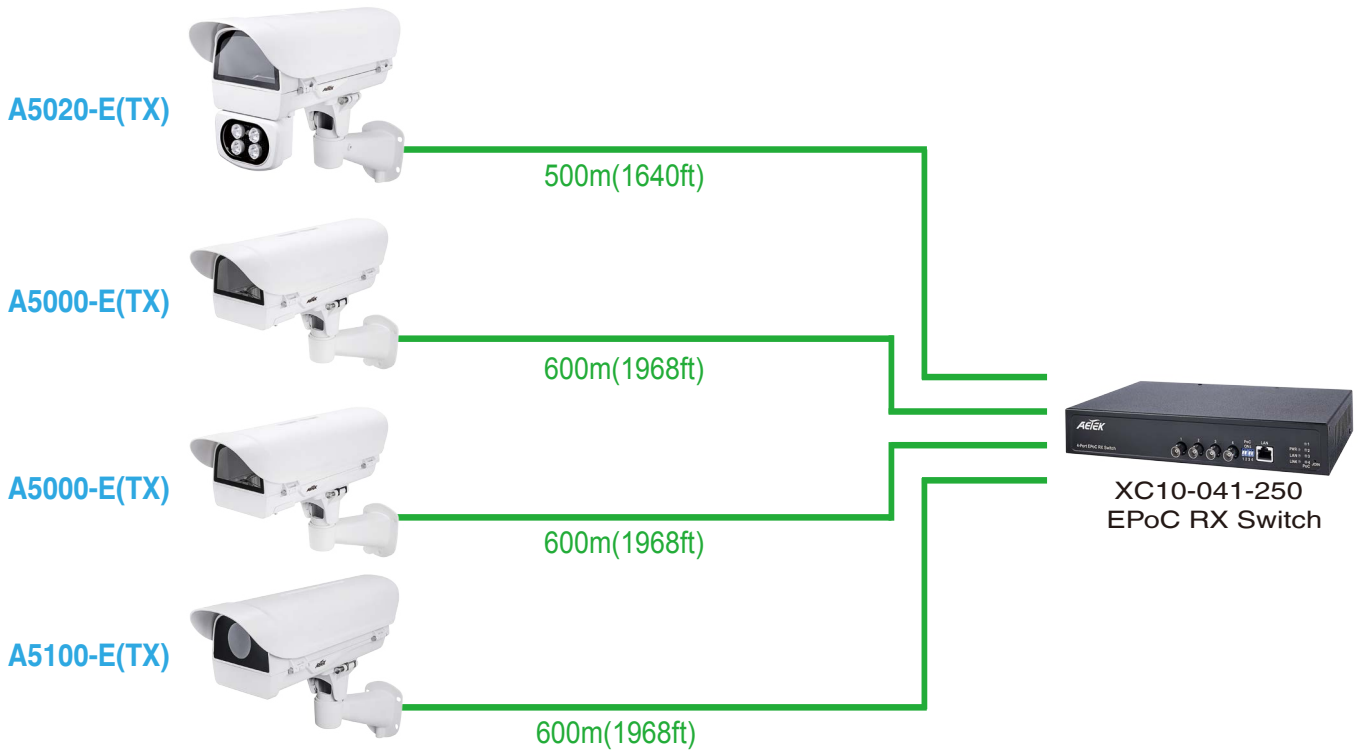
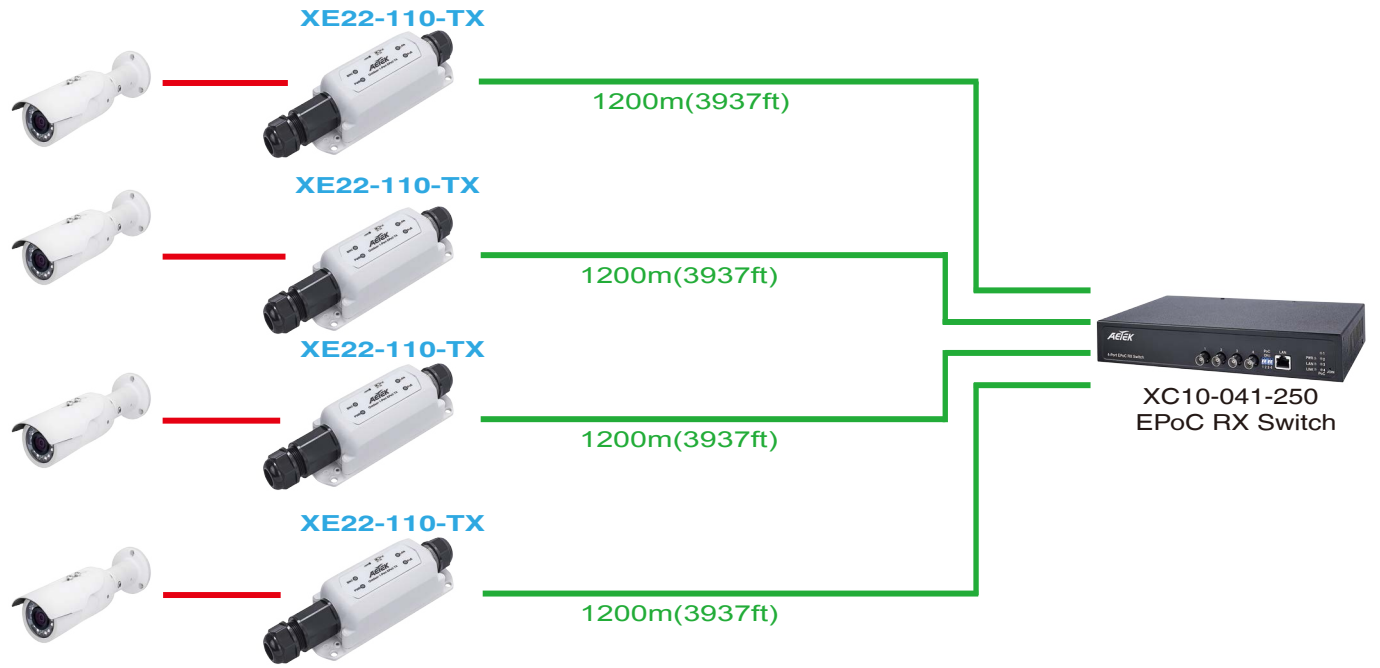
Features

- Four BNC coax ports & one LAN port
- 250W power supply, 100~240VAC input
- Playing RX mode
- Back-up 56VDC power input
- PoE pass through coax to remote PoE IP camera
- 19" Rack mount bracket
- 6KV surge protection for coax port
- Re-uses existing coax

Application

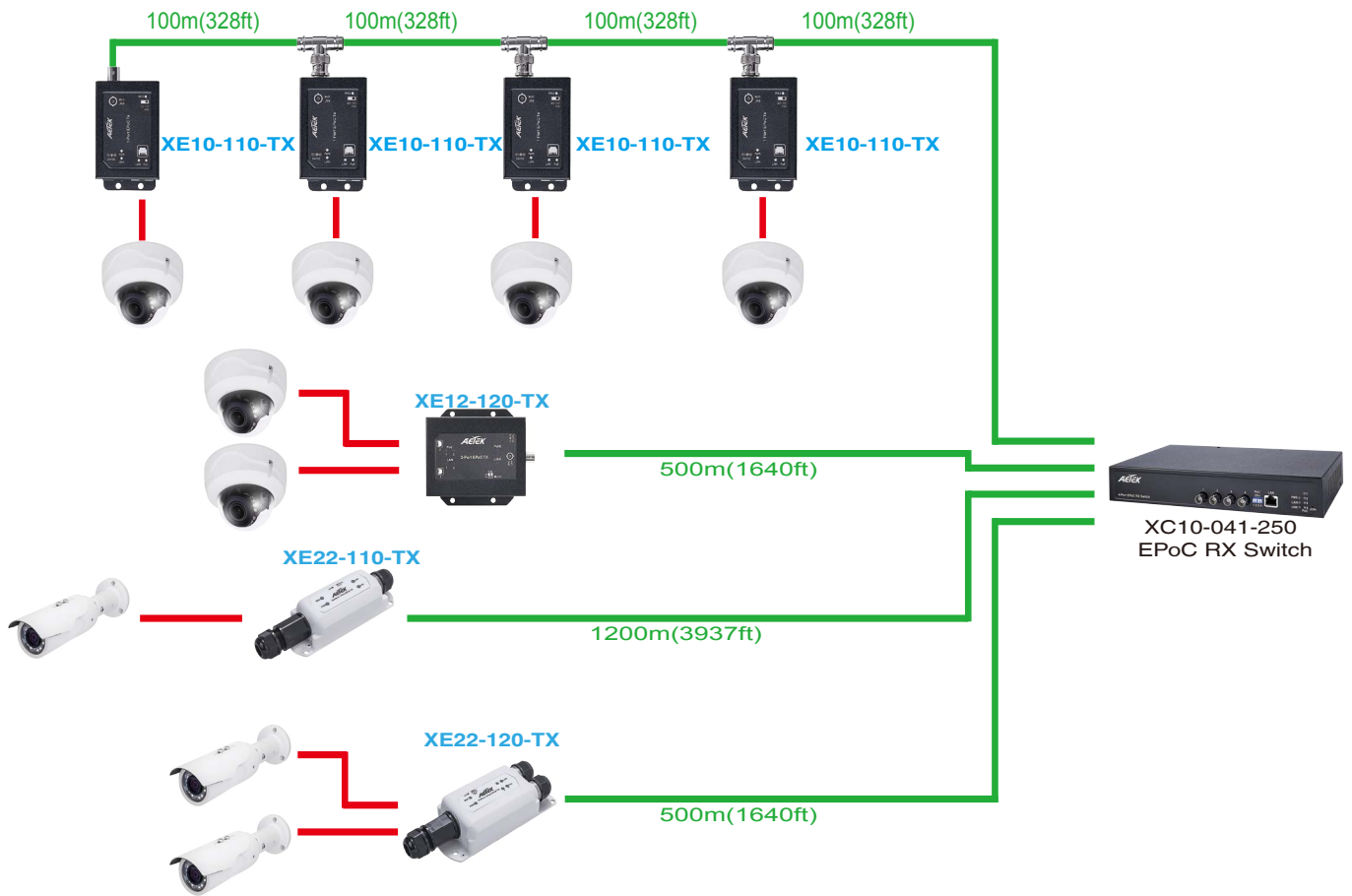


Application

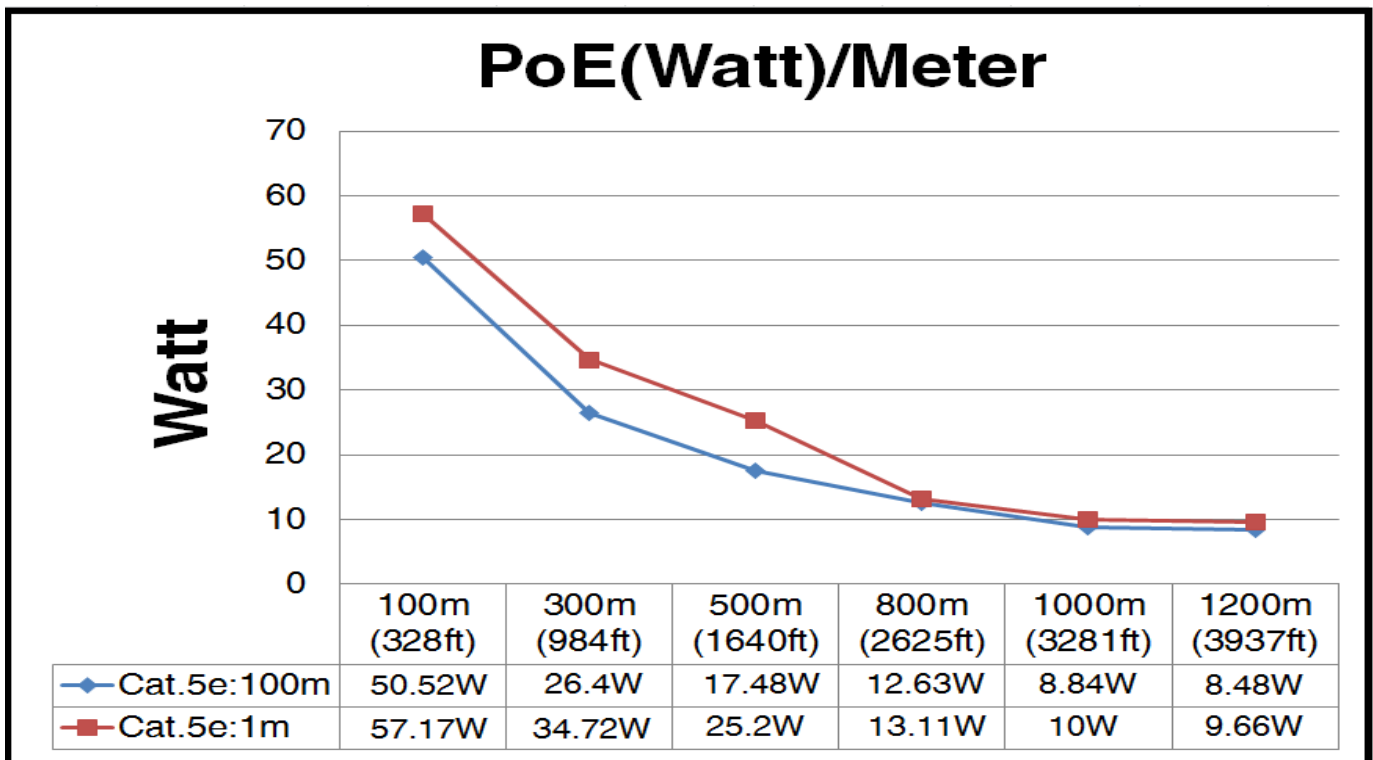


PoE (Data + Power) ———
Coax (Data + Power) ———
Ethernet (Data) ———

Application



Power / Distance Chart



Specifications

XC10-041-250	
Interface/Distance	
75Ω Coaxial BNC	4
10/100Mpps Ethernet RJ45	-
10/100/1000Mpps Ethernet RJ45	1
Transmission mode	RX mode
MAX.(Power+Data) Distance	9.7W@1200m(3937 ft)
Power Specifications	
Power supply	Input: 100-240VAC 280VAC 4hr 300VAC 1min.
Back-up Power Input Voltage	56VDC
PoE PD	-
PoE Pass Through	v
Surge Protection /each Coax Port	Built-in 6KV
Mechanical Specifications	
Dimensions (WxHxD)	276.6 x 178 x 44 mm (10.89x7x1.73")
Weight	1 kg (2.20 lb)
Connectors	BNCx4, RJ45x1, 100-240VAC power input, 56VDC input
Environmental Specifications	
Operating Temperature	0°C ~ 50°C (32°F ~ 122°F)
Storage Temperature	-20°C ~ 85°C (-28°F ~ 185°F)
Operating Humidity	5% ~ 95% non-condensing
Certifications	
EMC	CE, FCC, VCCI, C-Tick
Safety	EN60950-1

Related Products

EPoC TX Adapter Series			
	XE10-110-TX • 1-to-1 EPoC adapter(TX)		XE12-120-TX • 1-to-2 EPoC adapter(TX)
	XE22-110-TX • 1-to-1, Outdoor EPoC adapter(TX) with IP67 / IK10 / 6KV Surge protection		XE22-120-TX • 1-to-2, Outdoor EPoC adapter(TX) with IP67 / IK10 / 6KV Surge protection

EPoC TX Camera Housing Series			
	A5000-E • EPoC Camera Housing		A5100-E • EPoC Camera Housing • Germanium window
	A5020-E • EPoC Camera Housing with IR illuminator(MAX: 50m)		