



DEPLX – Resists hard use & abuse



DE1K – Resists hard use, abuse & vandalism

- Up to 50 user programmable PIN codes
- 4, 5 or 6 digit PIN codes
- Indexing permits the secure allocation and re-allocation of PIN codes
- One or two door control
- Tamper responsive alarm
- PIN code entered under duress alarm
- Forced door alarm
- Timed release or latched door option for each PIN code
- Fail (open) Fail (closed) option
- Timed lock out for repeated invalid code input
- Remote exit switch facility
- Hidden PIN code feature
- All weather resistant
- LED and audible tone status indication
- Requires 11 to 28V DC or 9 to 20V AC supply
- Quick and easy to install
- Two protection levels:
 - i) – Vandal resistant keypad for unsupervised, public, outdoor locations
 - ii) – Robust keypad for outdoor/indoor location

The practical alternative to keys and cards

Vandal resistant, self-contained keypad and controller for electrically operated locks and strikes.

Authorised personnel can use their PIN code to open either one or two normally locked doors. Up to 50 different 4, 5 or 6 digit codes can be individually programmed. Each code can be set to trigger an electric lock or strike for a pre-set time (allowing just one person to access), or to 'latch' the door in an unlocked condition (requiring the code to be re-entered to 'unlock' or re-lock the door).

If the StrikeMaster keypad is used to control a single door, the 'forced door alarm', 'anti-tamper alarm' and 'duress alarm' features can be enabled.



Keys (or cards) are often lost, stolen or copied; requiring locks to be changed and new keys issued



Performance

Operational key life:	>4 million cycles per key
Keytop Travel	1.4mm nominal
Actuation Force	150gms nominal
Connector	Screw terminals



Environmental

Operational temperature:	-20°C to +70°C (dry)
Water and dust resistance:	IP65



Electrical

Operating Voltage	10-28V DC OR 9-24V AC
Operating Current	300mA (max at 12V DC)



Material

Casing	DE1K DEPLX	Painted Zinc (silver) High Impact Polymer (black) Chromed Zinc Steel (corrosion protected) Gold on Nickel Plated FR4
Keytops		
Backplate		
Contact Circuit		



DOMESTIC



RETAIL



CORPORATE



CIVIC

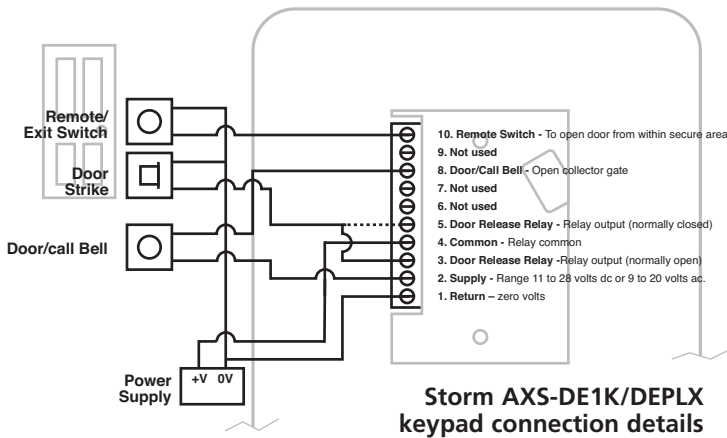


INDUSTRIAL

Compliance

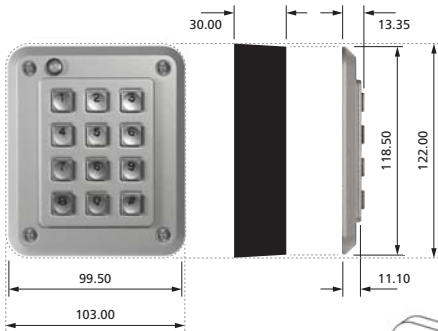
- EU RoHS
- EU Low Voltage Directive
- ESD: Up to +/- 15kV air discharge, +/- 7.5kV contact discharge
- WEEE Directive
- EMC-CE, FCC Part 15B Class B
- EN55022 Class B, EN60950, EN55024
- UL294





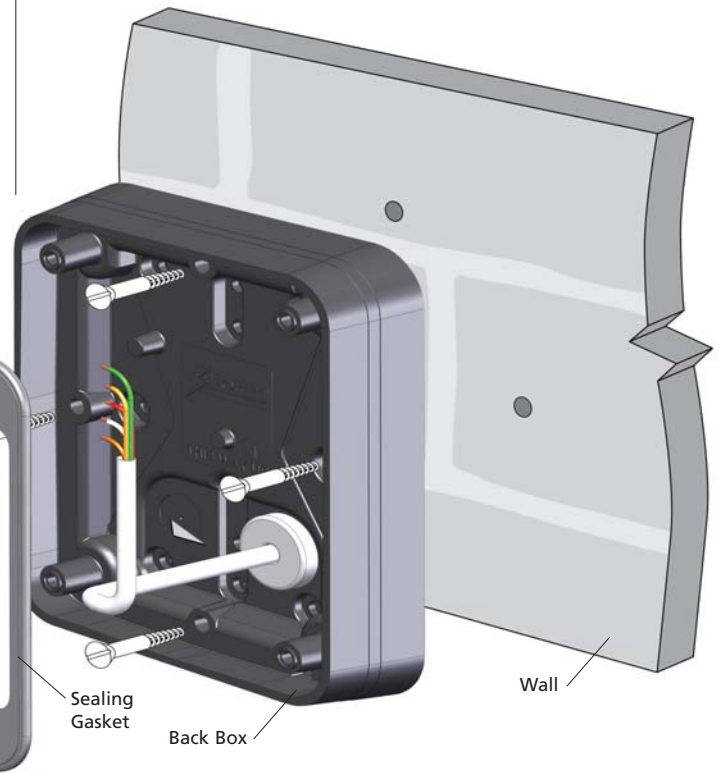
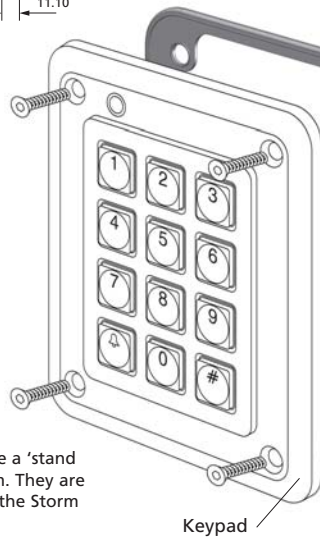
The Storm AXS StrikeMaster, one or two door keypads, are ideally suited for access control in both outdoor and indoor locations. They are impact resistant and sealed against water and dust to IP65.

All Storm AXS Keypads incorporate proven Storm switching technology to ensure rapid, reliable and responsive data entry. Specified to survive in a variety of service environments, ranging from exposed, unsupervised public environments, to general service / indoor installations. Keypads in the StrikeMaster series are dimensionally interchangeable. This allows users, entering codes at both outdoor and indoor access points to establish and maintain familiarity with the keypad features. DE1K and DEPLX StrikeMaster Keypads can be configured for either two door control or one door control with alarm and door monitoring functions.



All dimensions in mm

(Fixing hardware, sealing gaskets and comprehensive installation / operating instructions are included)



Please note: DE1K and DEPLX keypads are a 'stand alone, self contained' door control system. They are not compatible or intended for use with the Storm StrikeMaster ES Access Control System.



Part Numbers

AXS-DE1K/DEPLX

AXS-DE1K Access Control Keypad
 AXS-DEPLX Access Control Keypad

Accessories

DE1KT10 PIN Privacy Shield
 DEPLXT20 1KFS020

Specified for use with these Storm AXS products

Storm-AXS Power supply
 Storm-AXS Electro-magnetic door locks
 Storm-AXS Emergency override switch (break glass)
 Storm-AXS Request to exit switch (touch free)

Part Numbers

DEPS030
 DEL600, DEL1200, DEG1200
 DEEM010
 DEEX010

For more information & to order:

www.storm-interface.com



Whilst every effort is made to ensure details are correct at time of print, specifications are subject to change without notice.

Designed & produced by NIK Design nik@nikdesign.co.uk

Storm Interface products include technology protected by international patents and design registration. All rights reserved.

Storm is a trademark of Keymat Technology Ltd
 Storm Interface is a trading name of Keymat Technology Ltd



AXS-DE1K/DEPLX Nov 2014

FM 39602

